

● Main Card Features

- Raspberry Pi Compute (CPU) Module 1 & 3 Compatible
- 10/100 Ethernet Adapter
- Ruggedized high speed micro-SD card interface
- Dual USB 2.0
- Mini PCI-E Interface + SIM connector supporting:
 - 3G/HSDPA Modems
 - B/G WiFi adapter
 - USB Adapter
- Independent on-board UART (RX/TX/RTS/CTS)
- HDMI Out
- Dual High-Definition Raspberry Pi Camera Interfaces
- Audio Out
- Integrated battery backed Real-Time-Clock (RTC)
- ASIO Connectors allowing quick customised I/O expansion
- 8 way (2 part) industrial screw terminal connector for use with ASIO Outputs
- Backwards Compatible Raspberry Pi 2 HAT I/O Connector
- Dual Bi-Colour (Red/Green) front panel status LEDs
- Wide 9-23V (poly-fused and filtered) DC power input

● ASIO Socket Features

- I2C Interface
- SPI Interface (2 x Chip Selects)
- TTL 16550 UART (RX/TX/RTS/CTS)
- TTL Serial Console
- 28 x GPIO Lines
- 2 x PWM Outputs
- 2 x GPCLK Outputs

● CPU Module Specifications

- 4 GB of on-board eMMC bootable flash storage
- 512MB RAM
- Broadcom BCM2835 SoC with 700Mhz ARM11 CPU
- Hardware floating point
- VideoCore GPU

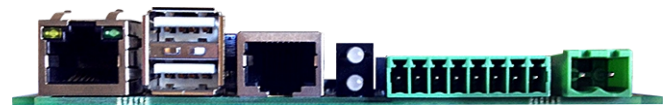
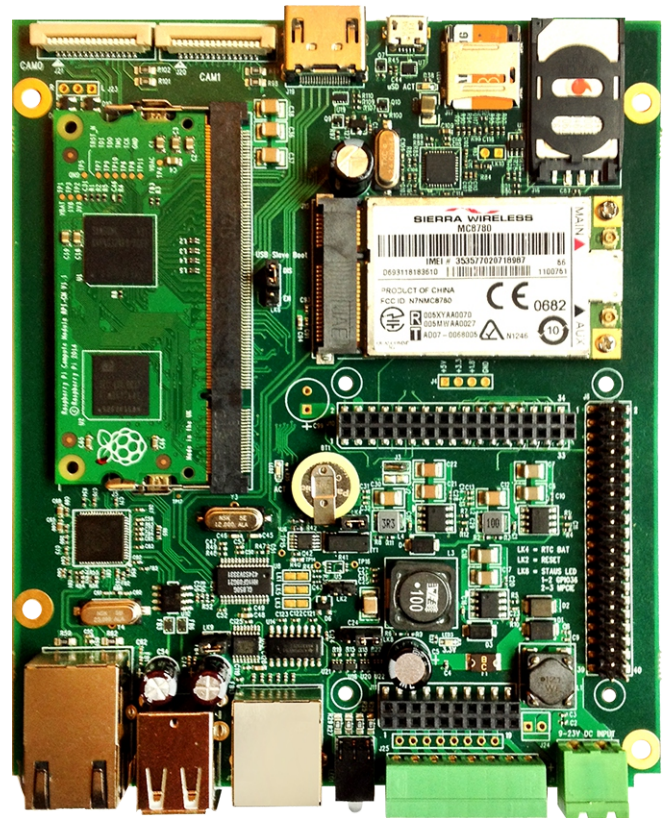
● Dimensions

- Core PCB Size : 125 x 142mm
- + Break Off Enclosure Tabs : 125 x 160/163.4mm

4 x M3.5 mounting holes

● Power Consumption Data

1.56-2.5W @ 700Mhz (dependant on power saving modes activated)

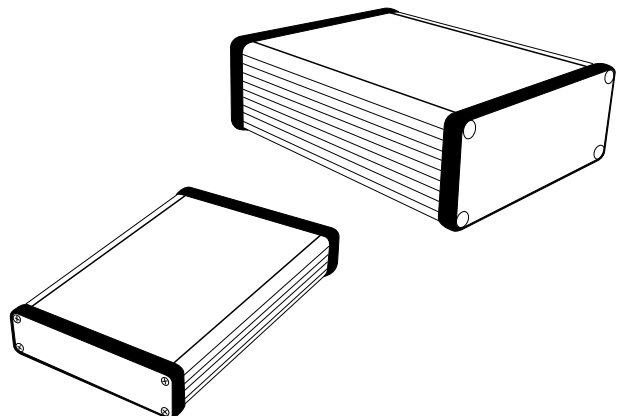


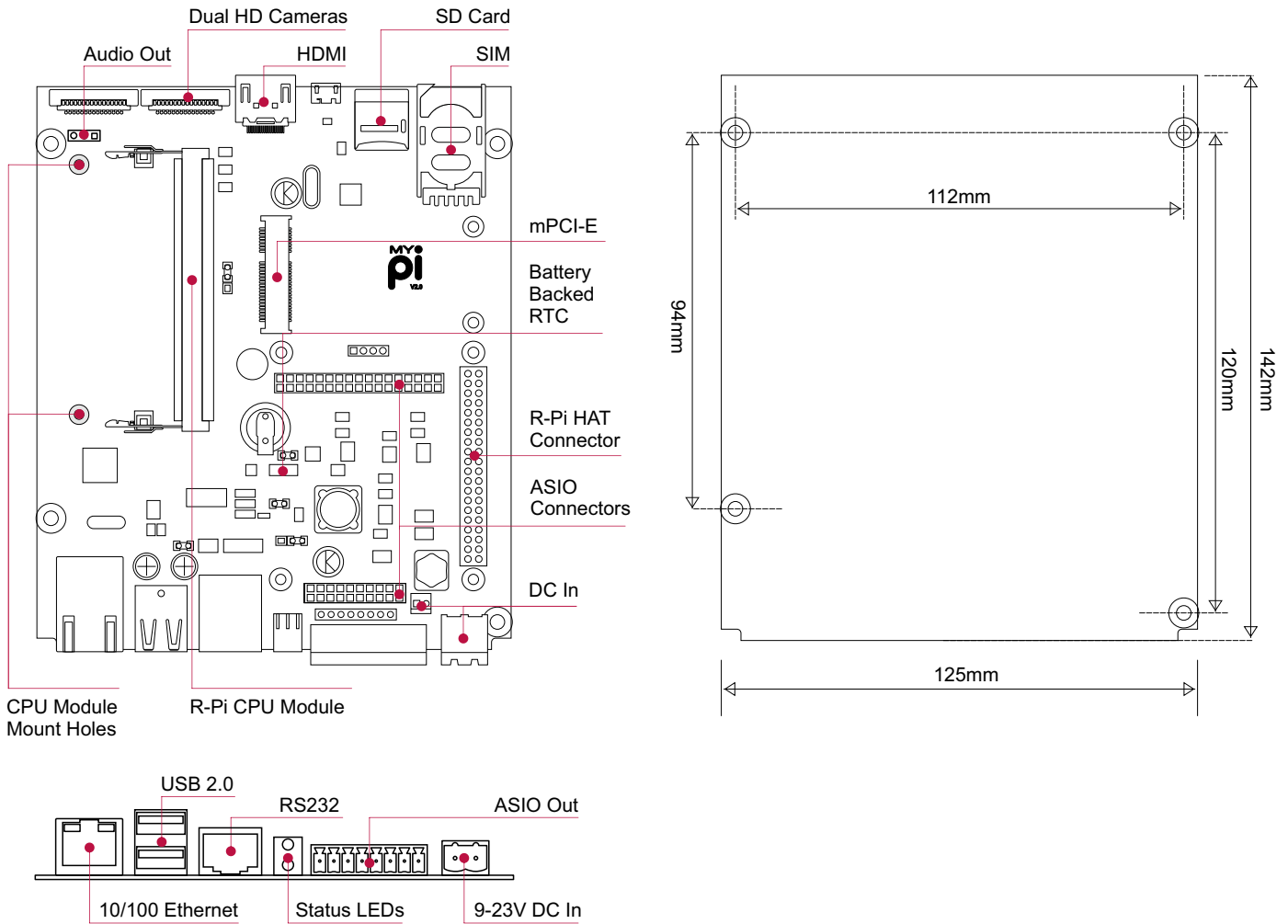
● Enclosure Design

Form-factor adjustable to fit two "off the shelf" Hammond brand aluminium enclosures in different size/colours:

- Single Height - Hammond 1455P1602/(BK)
- Double Height - Hammond 1455Q1602/(BK)

Pre-cut end plates and silk-screening service available





Pre-Designed ASIO Boards

A series of ASIO cards have been developed to accelerate product design

Part Number	Description
ISO-CAN	1 x Isolated CAN-BUS adapter card based on MCP2515 Can Controller
ISO-485	1 x Isolated Half Duplex RS485 adapter with automatic hardware-based flow control + 1 x Opto-Isolated Input
ISO-MBUS	1 x Isolated M-BUS adapter (1 x 3 Slaves) with integrated 34V PSU
ISO-1WIRE	2 x Isolated 1-Wire interfaces
ISO-RF/DIGIN	4 x Opto-Isolated double ended inputs (AC/DC) + RF serial link card interface
ISO-ADC	Isolated 18-Bit 4-Channel ADC with 4 x Double ended 4-20mA or 0-2.048V inputs
ISO-DIGOUT	4 x Open-collector outputs (5-40V DC) + 1 x Opto-Isolated Input
ISO-COMBO	Combo Card with : 18-Bit 4-Channel ADC with 4 x Double ended 4-20mA or 0-2.048V inputs 4 x Opto-Isolated double ended inputs (AC/DC) 4 x Opto-Isolated Relay Outputs (1A @125VAC/24DC) Isolated 5V & 0V DC Supply (for input opto-coupler drive)